



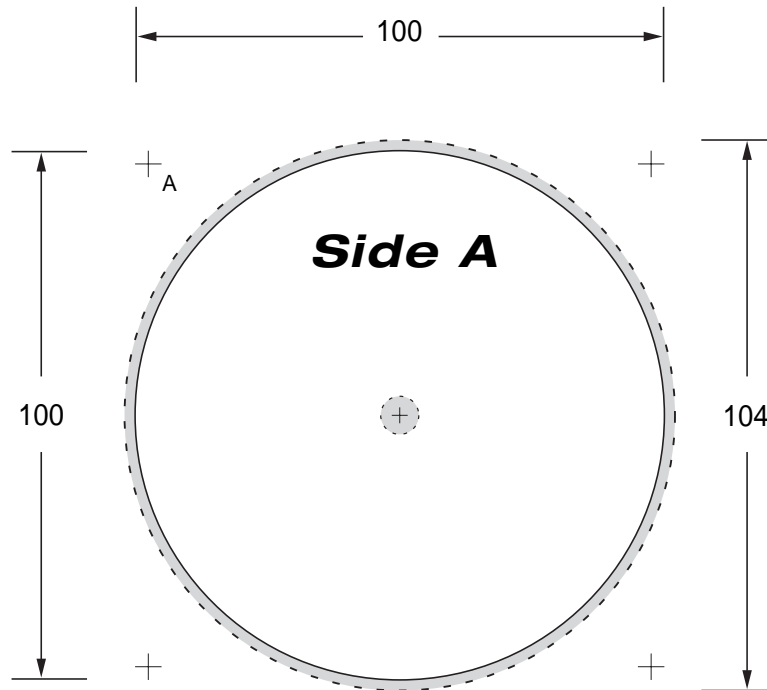
# Print specifications Label for Vinyl 30 cm

10 mm = 0,3937 in

Dimensions in mm

LP02 Version Sept. 2004 / En

Technical features



Area with 2 mm bleed all around,  
so 1 circle of 104 mm x 104 mm

For the inner ring : circle of 7,2 mm  
with design in it (do not leave a blank space  
in this circle on your films or in your files)

Please add this  
specification to your files.



## Template to keep

Positioning of registration marks (0,3 pts thickness)  
in the corners.

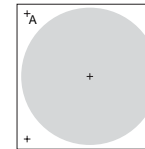
Central registration cross (0,3 pts thickness) of 3 mm long.

Do not forget a clear identification of sides A and B  
even if the information is not part of the design.

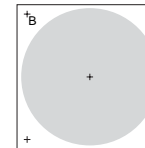
One label / side per page (see picture below).

It is better not to put any text over 98 mm diameter.

**Side A**



**Side B**



## Print details

- It is better to prefer process colours to spot colours.
- Because of the constraints of gluing the labels,  
it is better to avoid big contrast differences between  
the 2 sides.  
Example : 2 clear sides (between 0% and 25%) or  
2 dark sides (between 75% and 100%).
- Pastel colours might be altered during the press  
and drying processes.

Final format :

- Outer ring : 100 x 100 mm
- Inner ring : 7,2 mm

Format before cutting :

- Outer ring : 104 x 104 mm
- Inner ring : please put only a  
central registration cross

Paper type : 150 g

Print type : offset

- Process colours
- Additional cost for spot colours  
(Pantone® colours only)

If films provided:

Positives, offset direction, 150 lpi

X-Press template : LP02.QXD

